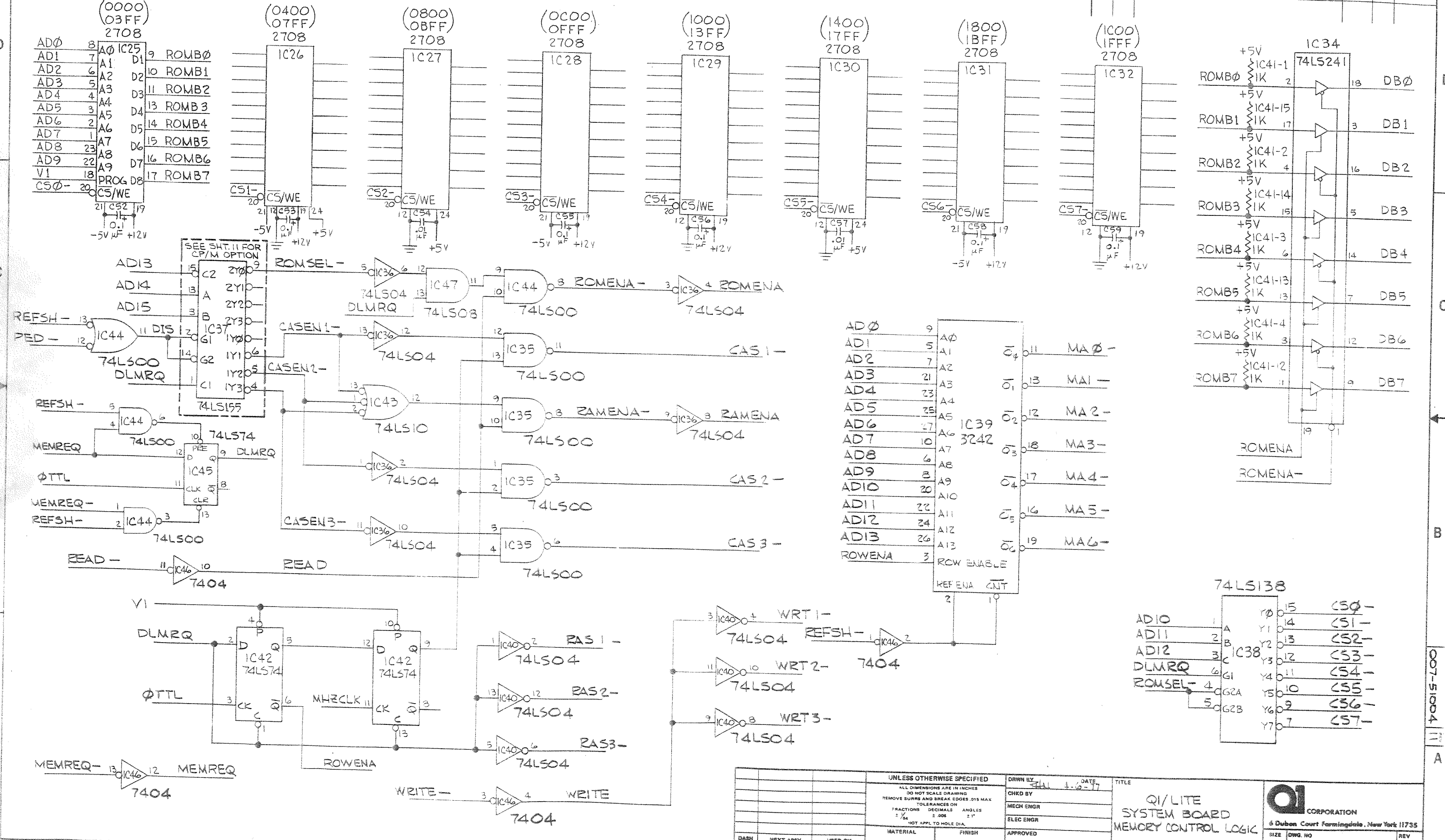


THIS DRAWING AND SPECIFICATIONS HEREIN ARE THE PROPERTY OF QI CORPORATION AND SHALL NOT BE REPRODUCED OR COPIED OR USED IN WHOLE OR IN PART AS THE BASIS FOR THE MANUFACTURE OR SALE OF ITEMS WITHOUT WRITTEN PERMISSION.

REVISIONS					
LTR	ZONE	DESCRIPTION	DATE	BY	APPROVED
-	-	SEE SHT. - 1			



UNLESS OTHERWISE SPECIFIED		DRWN BY	DATE	TITLE
ALL DIMENSIONS ARE IN INCHES DO NOT SCALE DRAWING REMOVE BURRS AND BREAK EDGES .015 MAX TOLERANCES ON FRACTIONS DECIMALS ANGLES ± 1/4 ± .008 ± 1° NOT APPL TO HOLE DIA.		STAL	1-10-77	QI/LITE SYSTEM BOARD MEMORY CONTROL LOGIC
MATERIAL		MECH ENGR	ELEC ENGR	APPROVED
FINISH		APPROVED	RELEASE	

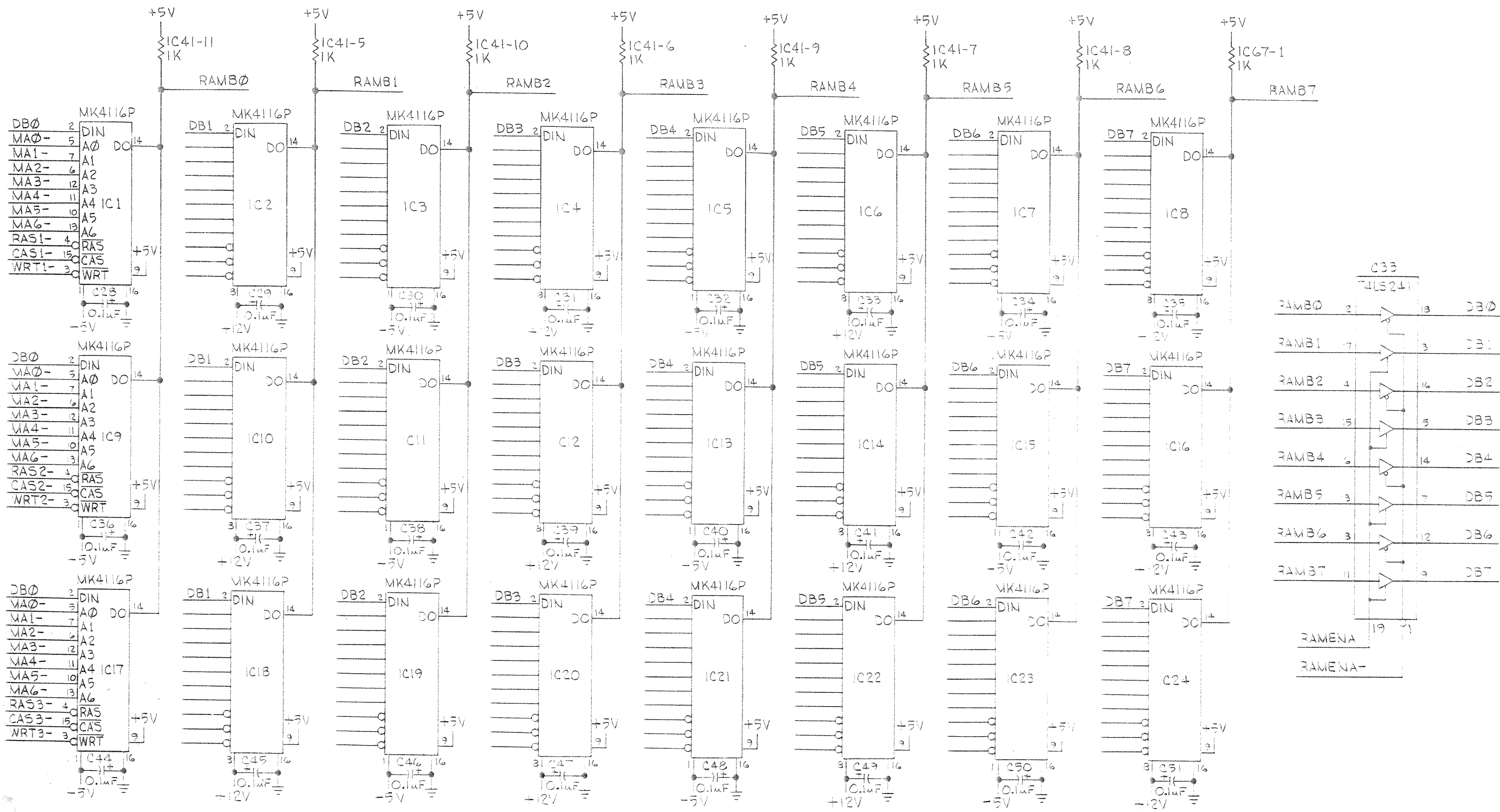
DASH	NEXT ASSY	USED ON	APPLICATION

SIZE	DWG. NO	REV
n	007-51004	-

007-51004 11 A

THIS DRAWING AND SPECIFICATIONS HEREIN ARE THE PROPERTY OF QI CORPORATION AND SHALL NOT BE REPRODUCED OR COPIED OR USED IN WHOLE OR IN PART AS THE BASIS FOR THE MANUFACTURE OR SALE OF ITEMS WITHOUT WRITTEN PERMISSION.

REVISIONS				
LTR	ZONE	DESCRIPTION	DATE	APPROVED
		SEE SHT. - 1		

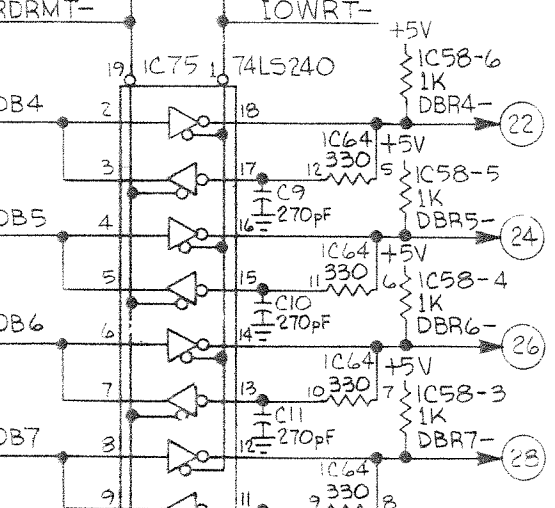
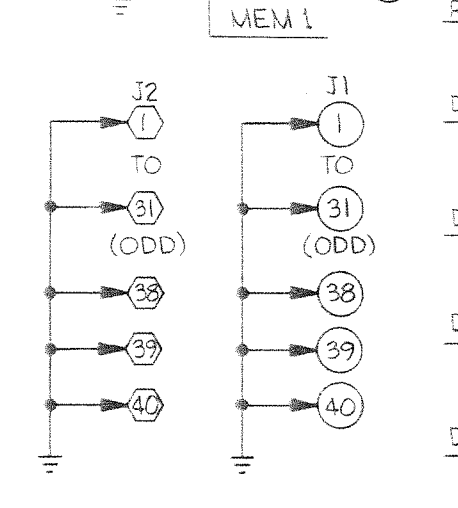
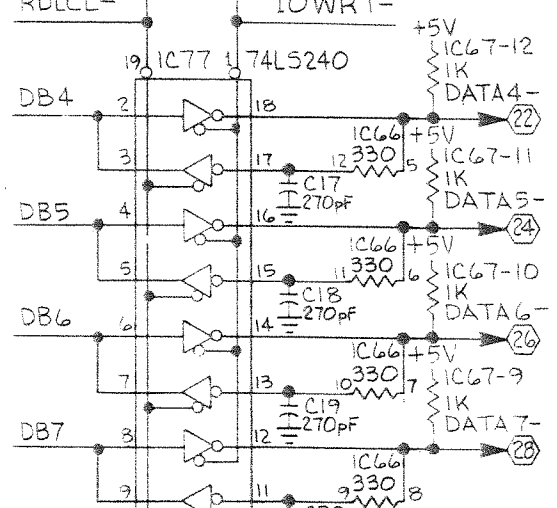
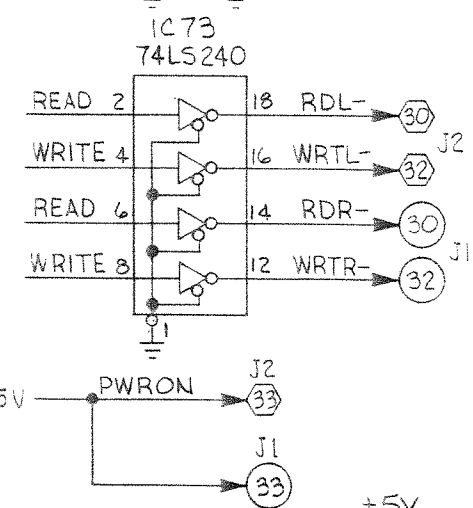
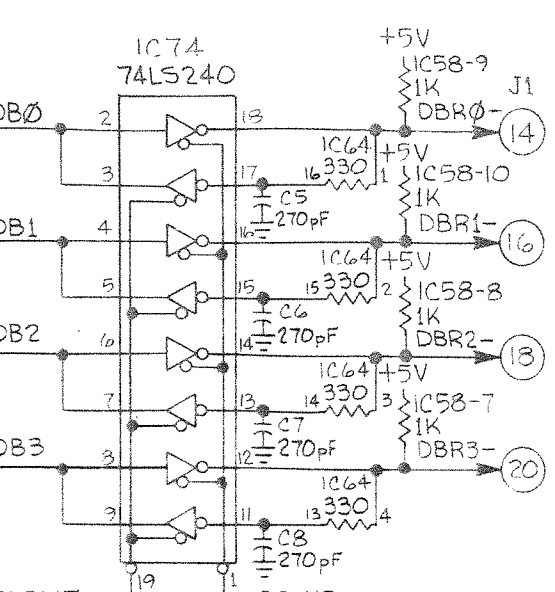
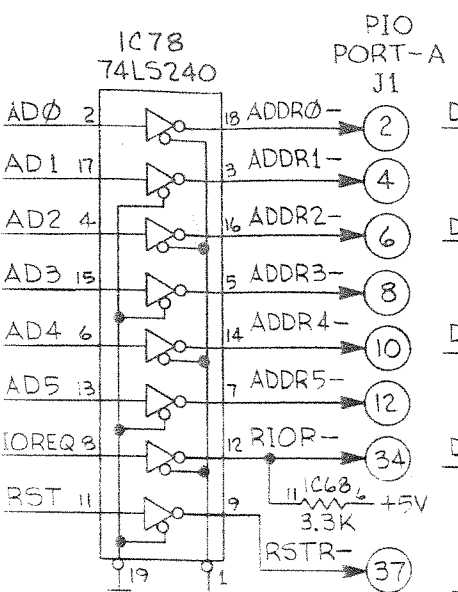
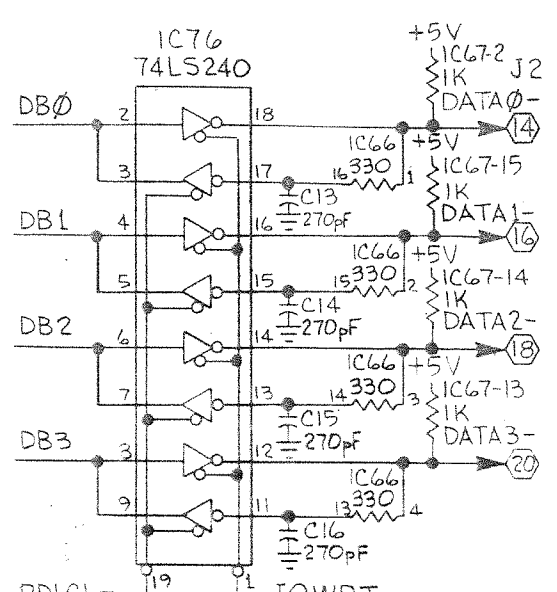
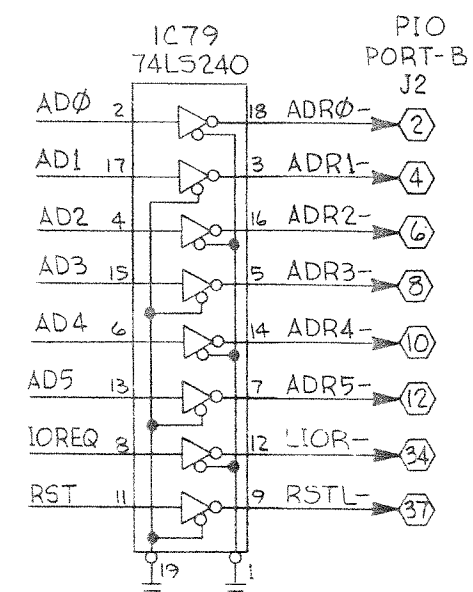


UNLESS OTHERWISE SPECIFIED		DRWN BY G. O'NEILL	DATE 3-24-77	TITLE
ALL DIMENSIONS ARE IN INCHES DO NOT SCALE DRAWING REMOVE BURRS AND BREAK EDGES .015 MAX TOLERANCES ON FRACTIONS DECIMALS ANGLES ±.005 ±.008 ±.1°		CHKD BY		QI/LITE SYSTEM BOARD RAM LOGIC
MATERIAL FINISH		MECH ENGR		QI CORPORATION 6 Dubon Court Farmingdale, New York 11735
DASH NEXT ASSY USED ON APPLICATION		ELEC ENGR		SIZE DWG. NO. REV D C007-51004 -
		APPROVED		SEE SEPARATE SHEET FOR LIST OF MATERIALS
		RELEASE		SCALE SHEET 3 OF 11

D C B A 007-51004 11

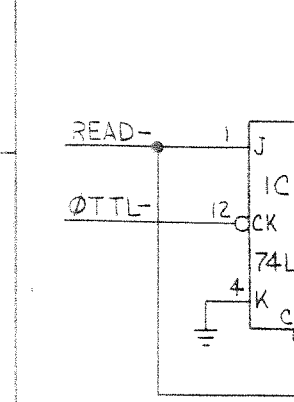
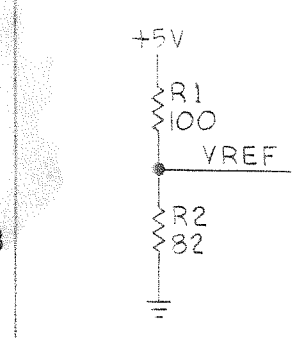
THIS DRAWING AND SPECIFICATIONS HEREIN ARE THE PROPERTY OF QI CORPORATION AND SHALL NOT BE REPRODUCED OR COPIED OR USED IN WHOLE OR IN PART AS THE BASIS FOR THE MANUFACTURE OR SALE OF ITEMS WITHOUT WRITTEN PERMISSION.

REVISIONS				
LTR	ZONE	DESCRIPTION	DATE	BY
H		SEE SHT.-1		



TEST PANEL/DMA PORT

AD0	P1 40	DB6	P1 30
AD1	38	DB7	76
AD2	36	BUSACK-	96
AD3	54	MEM1-	98
AD4	52	BUSGNT-	94
AD5	50	RST-	92
AD6	48	HALT-	84
AD7	46	IOREQ-	34
AD8	44	MEMREQ-	14
AD9	42	READ-	10
AD10	4	WRITE-	3
AD11	6	REFSH-	18
AD12	2	WAITR-	30
AD13	22	BUSRQ-	32
AD14	20	ADAT-	12
AD15	16	PED-	24
DB0	72	INTR-	26
DB1	64	PNLRST-	28
DB2	74	MREQ-	56
DB3	62	RD-	68
DB4	88	WR-	90
DB5	86	IORQ-	66
		NMI-	78
		INT-	58
		N/C	100
		RFSH-	70
		CTLGNT-	82
		DTTL	60

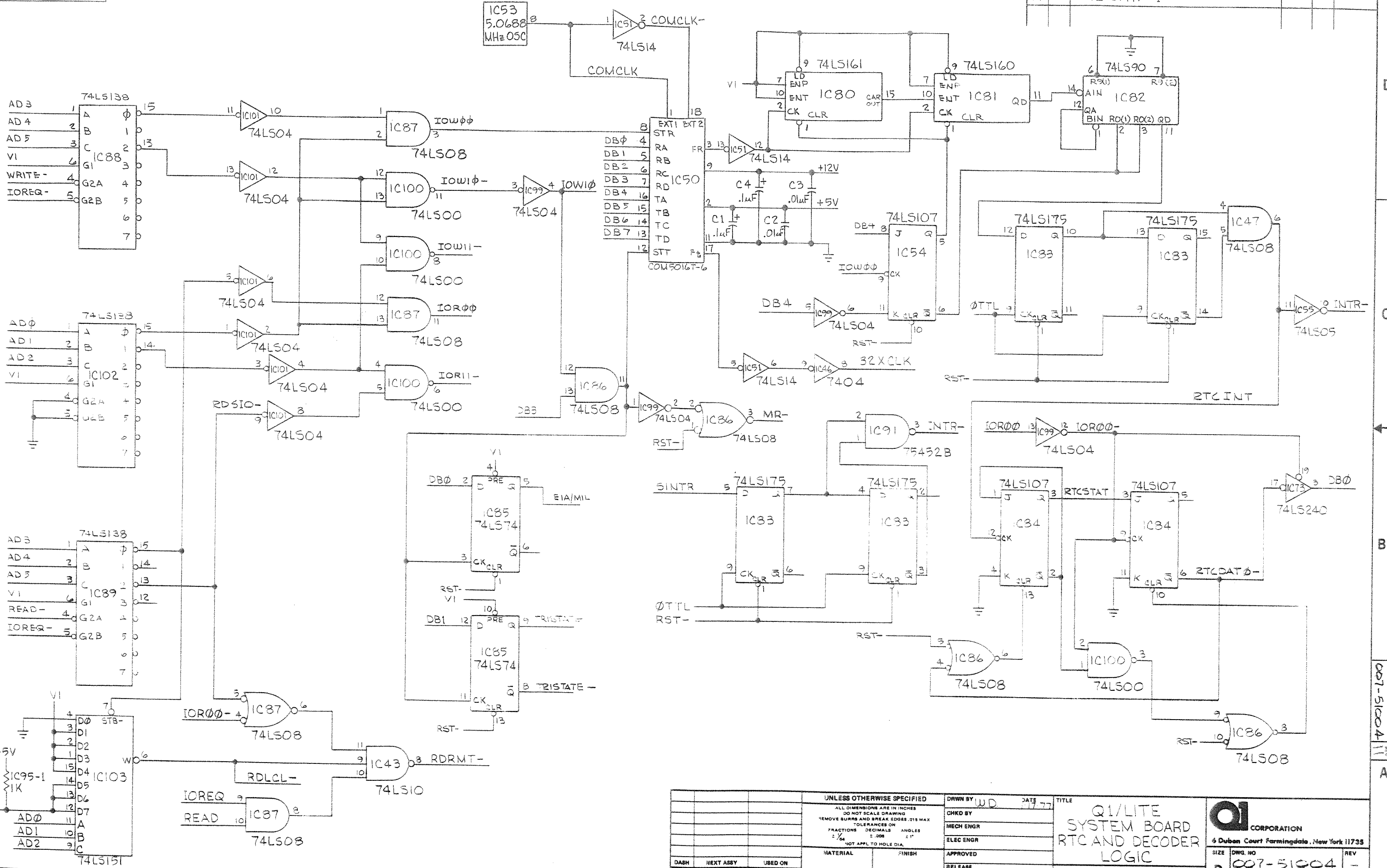


UNLESS OTHERWISE SPECIFIED			DRWN BY	W.D.	DATE	11/22/84	TITLE	QI/LITE SYSTEM BOARD PIO LOGIC
ALL DIMENSIONS ARE IN INCHES			CHKD BY					
DO NOT SCALE DRAWING			MECH ENGR					
REMOVE BURRS AND BREAK EDGES .015 MAX			ELEC ENGR					
TOLERANCES ON			APPROVED					
FRACTIONS DECIMALS ANGLES			RELEASE					
1/4 2.008 1°								
NOT APPL TO HOLE DIA.								
DASH	NEXT ASSY	USED ON						
APPLICATION								
QI CORPORATION 5 Duban Court Farmingdale, New York 11735 SIZE DWG NO. 007-51004 REV. - SCALE SHEET 4 of 11								

007-51004 11

THIS DRAWING AND SPECIFICATIONS HEREIN ARE THE PROPERTY OF Q1 CORPORATION AND SHALL NOT BE REPRODUCED OR COPIED OR USED IN WHOLE OR IN PART AS THE BASIS FOR THE MANUFACTURE OR SALE OF ITEMS WITHOUT WRITTEN PERMISSION.

REVISIONS					
LTR	ZONE	DESCRIPTION	DATE	BY	APPROVED
1		SEE SHT. - 1			



APPLICATION			MATERIAL			FINISH		
DASH	NEXT ASSY	USED ON						

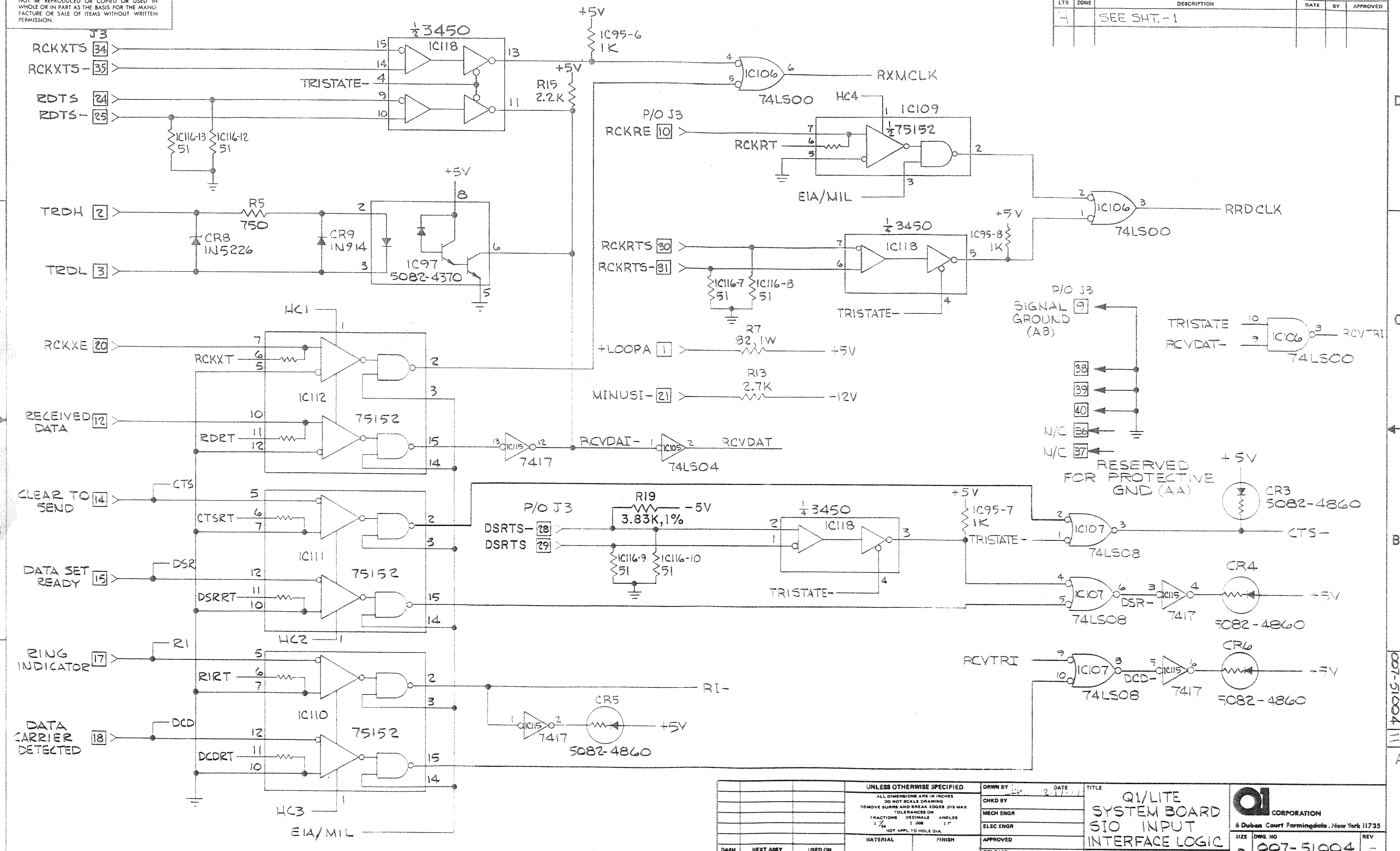
UNLESS OTHERWISE SPECIFIED		DRWN BY	DATE	TITLE
ALL DIMENSIONS ARE IN INCHES DO NOT SCALE DRAWING REMOVE BURRS AND BREAK EDGES .015 MAX TOLERANCES ON FRACTIONS DECIMALS ANGLES ± 1/64 ± .008 ± 1° NOT APPL TO HOLE DIA.		WD	7/77	Q1/LITE SYSTEM BOARD RTC AND DECODER LOGIC
		CHKD BY		
		MECH ENGR		
		ELEC ENGR		
		APPROVED		
		RELEASE		

SIZE	DWG. NO.	REV.
D	007-51004	-
SCALE		SHEET 5 OF 11

007-51004

THIS DRAWING AND SPECIFICATIONS HEREIN ARE THE PROPERTY OF Q1 CORPORATION AND SHALL NOT BE REPRODUCED OR COPIED OR USED IN WHOLE OR IN PART AS THE BASIS FOR THE MANUFACTURE OR SALE OF ITEMS WITHOUT WRITTEN PERMISSION.

REVISIONS				
LTR	ZONE	DESCRIPTION	DATE	APPROVED
4		SEE SHT. -1		

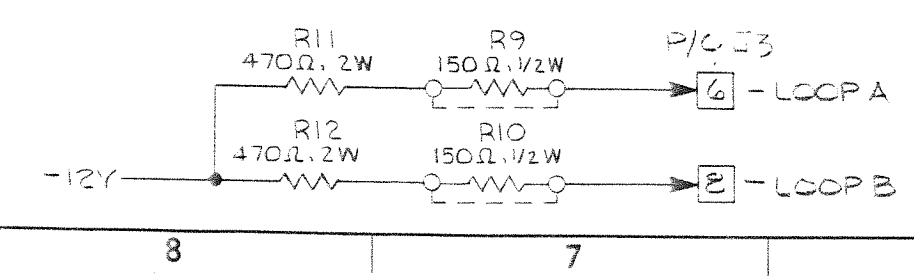
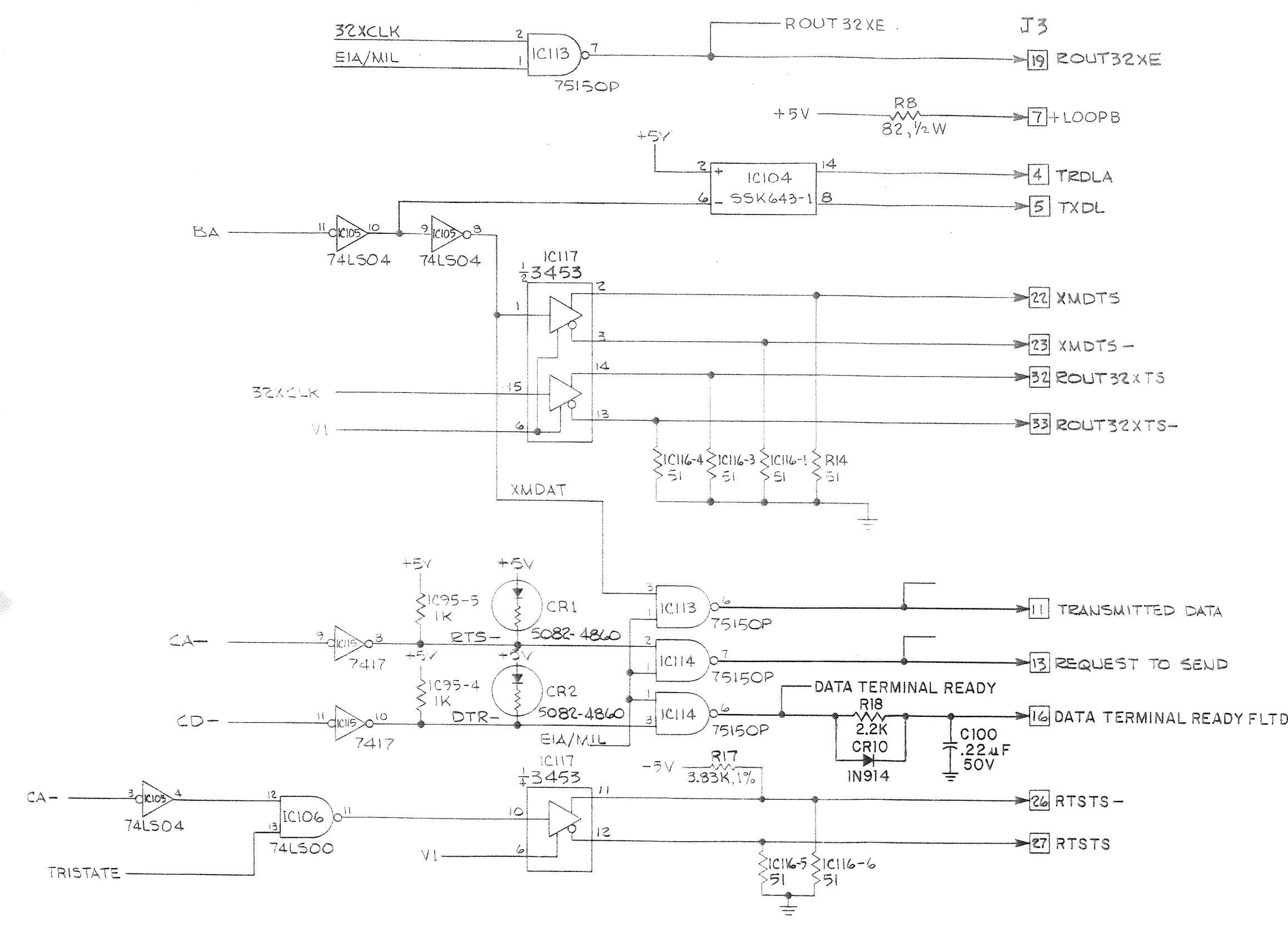


UNLESS OTHERWISE SPECIFIED			DRWN BY	DATE	TITLE	 6 Dubon Court Farmingdale, New York 11735
ALL DIMENSIONS ARE IN INCHES DO NOT SCALE DRAWING REMOVE SURRS AND BREAK EDGES .015 MAX TOLERANCES ON FRACTIONS DECIMALS ANGLES $\pm \frac{1}{64}$ $\pm .008$ $\pm 1^\circ$ NOT APPL TO HOLE DIA.			CHKD BY		Q1/LITE SYSTEM BOARD SIO INPUT INTERFACE LOGIC	
DASH	NEXT ASSY	USED ON	MATERIAL	FINISH	APPROVED	SIZE
					RELEASE	DRG. NO.
APPLICATION						007-51004
SEE SEPARATE SHEET FOR LIST OF MATERIALS						REV
						SCALE
						SHEET 7 OF 11

007-51004

THIS DRAWING AND SPECIFICATIONS HEREIN ARE THE PROPERTY OF QI CORPORATION AND SHALL NOT BE REPRODUCED OR COPIED OR USED IN WHOLE OR IN PART AS THE BASIS FOR THE MANUFACTURE OR SALE OF ITEMS WITHOUT WRITTEN PERMISSION.

REVISIONS				
LTR	ZONE	DESCRIPTION	DATE	APPROVED
H		SEE SHT. - 1		

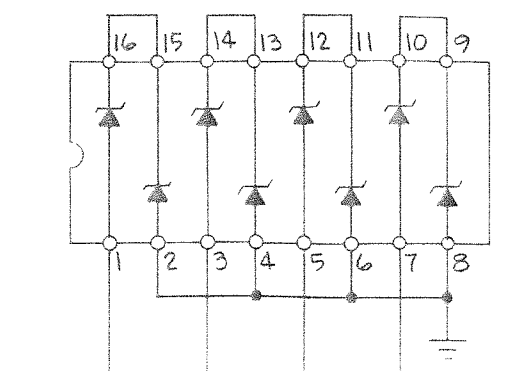
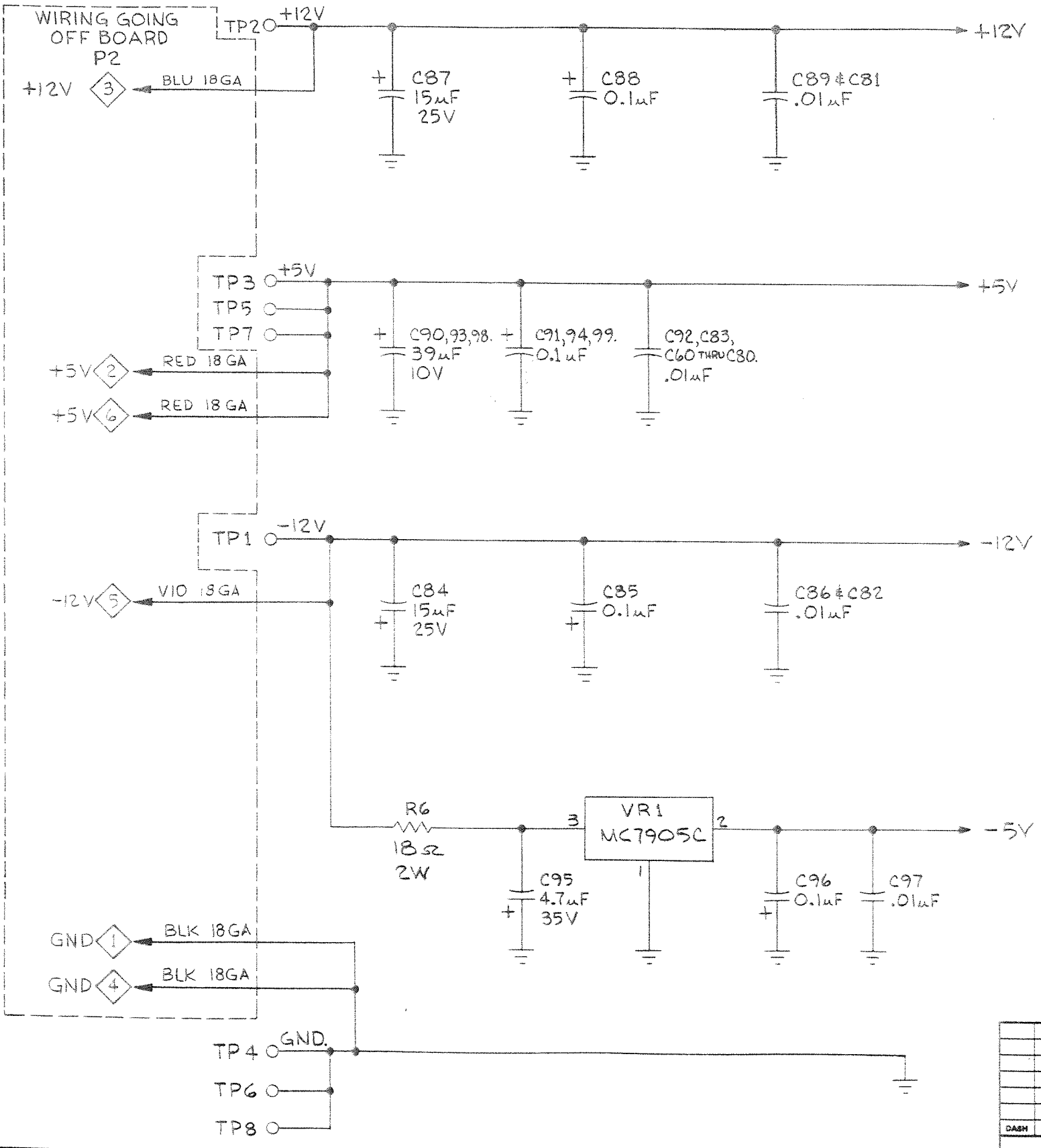


UNLESS OTHERWISE SPECIFIED			DRWN BY	DATE	TITLE
ALL DIMENSIONS ARE IN INCHES DO NOT SCALE DRAWING			ETH	2-23-77	QI/LITE SYSTEM BOARD SIO OUTPUT INTERFACE LOGIC
REMOVE BURRS AND BREAK EDGES .015 MAX			CHKD BY		QI CORPORATION 5 Dubon Court Farmingdale, New York 11735
TOLERANCES ON FRACTIONS DECIMALS ANGLES ± 1/64 ± .008 ± 1°			MECH ENGR		
NOT APPL TO HOLE DIA.			ELEC ENGR		SIZE DWG. NO D 007-51004
MATERIAL FINISH			APPROVED		
DASH	NEXT ASSY	USED ON	RELEASE		SEE SEPARATE SHEET FOR LIST OF MATERIALS
APPLICATION					SCALE SHEET 3 of 11

007-51004 11 A

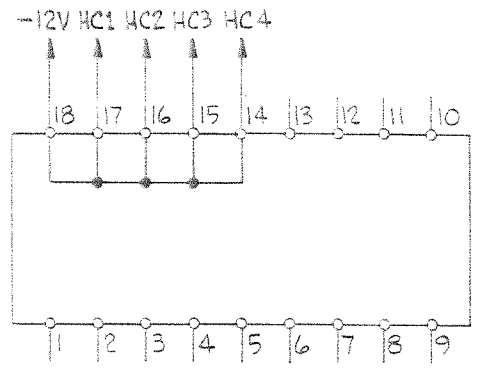
THE PROPERTY OF QI CORPORATION AND SHALL NOT BE REPRODUCED OR COPIED OR USED IN WHOLE OR IN PART AS THE BASIS FOR THE MANUFACTURE OR SALE OF ITEMS WITHOUT WRITTEN PERMISSION.

LTR	ZONE	DESCRIPTION	DATE	BY	APPROVED
		SEE SHT. - 1			

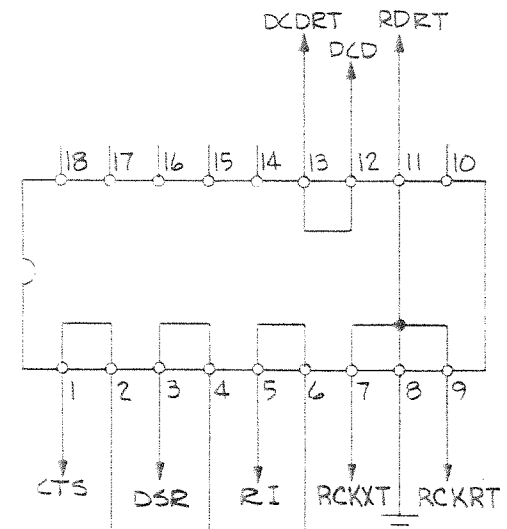


8 EACH IN752A DIODES

HEADER 1 INSERTED FOR MIL OPTION Q1 PART NR. 007-02009



HEADER 3 INSERTED FOR EIA FAILSAFE OPTION Q1 PART NR. 007-02011



HEADER 2 INSERTED FOR MIL OPTION Q1 PART NR. 007-02010

UNLESS OTHERWISE SPECIFIED			DRWN BY	DATE	TITLE
ALL DIMENSIONS ARE IN INCHES DO NOT SCALE DRAWING REMOVE BURRS AND BREAK EDGES .015 MAX TOLERANCES ON FRACTIONS DECIMALS ANGLES ±.004 ±.008 ±.1° NOT APPL. TO HOLE DIA.			SA	2-15-77	Q1/LITE SYSTEM BOARD D.C. INPUTS & HEADER ASSEMBLIES
MATERIAL			CHKD BY	MECH ENGR	QI CORPORATION 6 Dubon Court Farmingdale, New York 11735
FINISH			ÉLEC ENGR	APPROVED	SIZE DWG. NO. REV
APPLICATION			RELEASE	SEE SEPARATE SHEET FOR LIST OF MATERIALS	D 007-51004 -
					SCALE SHEET 9 OF 11

8 7 6 5 4 3 2 1

007-51004 11 A

THIS DRAWING AND SPECIFICATIONS HEREIN ARE THE PROPERTY OF QI CORPORATION AND SHALL NOT BE REPRODUCED OR COPIED OR USED IN WHOLE OR IN PART AS THE BASIS FOR THE MANUFACTURE OR SALE OF ITEMS WITHOUT WRITTEN PERMISSION.

REVISIONS				
LTR	ZONE	DESCRIPTION	DATE	BY
7		SEE SHT. - 1		

TTL TEST PANEL/DMA PORT	ADDRESS BUS, CONT/SYS. STAT.	DATA BUS, CONT/SYS. STAT.	DATA BUS, CONT/SYS. STAT.
P1 - 40 AD0 I/O			
38 AD1			
36 AD2			
54 AD3			
52 AD4			
50 AD5			
48 AD6			
46 AD7			
44 AD8			
42 AD9			
4 AD10			
6 AD11			
2 AD12			
22 AD13			
20 AD14			
16 AD15			
72 DB0			
64 DB1			
74 DB2			
62 DB3			
88 DB4			
86 DB5			
80 DB6			
76 DB7 I/O			
96 BUSACK- O			
98 MEMI- O			
94 BUSGNT- O			
92 RST- O			
84 HALT- O			
34 IOREQ- I/O			
14 MEMREQ- I/O			
10 READ- I/O			
8 WRITE- I/O			
18 REFUSH- I/O			
30 WAITR- I			
32 BUSRQ- I			
12 ADAT- I			
24 PED- I			
26 INTR- I			
28 PNLRST- I			
56 MREQ- O			
68 RD- O			
90 WR- O			
66 IORQ- O			
78 NMI- I			
58 INT- O			
100 N/C			
70 RFSH- O			
82 CTLGNT- I			
P1 - 60 0TTL O			

PIO PORT-B	LCL TTL I/O BUS
J2 - 1	GND BRN
2	ADR0- RED
3	GND ORG
4	ADR1- YEL
5	GND GRN
6	ADR2- BLU
7	GND VIO
8	ADR3- GRY
9	GND WHT
10	ADR4- BLK
11	GND BRN
12	ADR5- RED
13	GND ORG
14	DATA0- YEL
15	GND GRN
16	DATA1- BLU
17	GND VIO
18	DATA2- GRY
19	GND WHT
20	DATA3- BLK
21	GND BRN
22	DATA4- RED
23	GND ORG
24	DATA5- YEL
25	GND GRN
26	DATA6- BLU
27	GND VIO
28	DATA7- GRY
29	GND WHT
30	RDL- BLK
31	GND BRN
32	WRTL- RED
33	PWRON ORN
34	LIOR- YEL
35	LWAITR- GRN
36	LINTR- BLU
37	RSTL- VIO
38	GND GRY
39	GND WHT
J2-40	GND BLK

SIO BUS	
J3 - 1	+LOOPA BRN
2	TRDH RED
3	TRDL ORG
4	TRDLA YEL
5	TXDL GRN
6	-LOOPA BLU
7	+LOOPB VIO
8	-LOOPB GRY
9	SIG GND (AB) WHT
10	RCKRE (DD) BLK
11	TRANSMITTED DATA (BA) BRN
12	RECEIVED DATA (BB) RED
13	REQUEST TO SEND (CA) ORG
14	CLEAR TO SEND (CB) YEL
15	DATA SET READY (CC) GRN
16	DATA TERMINAL READY FLTD (CD) BLU
17	RING INDICATOR (CE) VIO
18	DATA CARRIER DETECTED (CF) GRY
19	ROUT 32XE WHT
20	RCKXE (DB) BLK
21	MINUSI- BRN
22	XMDTS RED
23	XMDTS- ORG
24	RDTs YEL
25	RDTs- GRN
26	RTSTs BLU
27	RTSTs VIO
28	DSRTs- GRY
29	DSRTs WHT
30	RCKRTs BLK
31	RCKRTs- BRN
32	ROUT 32XTs RED
33	ROUT 32XTs- ORG
34	RCKXTs YEL
35	RCKXTs- GRN
36	N/C [PROTECTIVE] BLU
37	N/C [GND (AA)] VIO
38	GND GRY
39	GND WHT
J3-40	GND BLK

PIO PORT-A	RMT TTL I/O BUS
J1 - 1	GND BRN
2	ADDR0- RED
3	GND ORG
4	ADDR1- YEL
5	GND GRN
6	ADDR2- BLU
7	GND VIO
8	ADDR3- GRY
9	GND WHT
10	ADDR4- BLK
11	GND BRN
12	ADDR5- RED
13	GND ORG
14	DBR0- YEL
15	GND GRN
16	DBR1- BLU
17	GND VIO
18	DBR2- GRY
19	GND WHT
20	DBR3- BLK
21	GND BRN
22	DBR4- RED
23	GND ORG
24	DBR5- YEL
25	GND GRN
26	DBR6- BLU
27	GND VIO
28	DBR7- GRY
29	GND WHT
30	RDR- BLK
31	GND BRN
32	WRTR- RED
33	PWRON ORG
34	RIOR- YEL
35	RWAITR- GRN
36	RINTR- BLU
37	RSTR- VIO
38	GND GRY
39	GND WHT
J1-40	GND BLK

1 TO 49 (ODD) GND
51 TO 99 (ODD) +5V

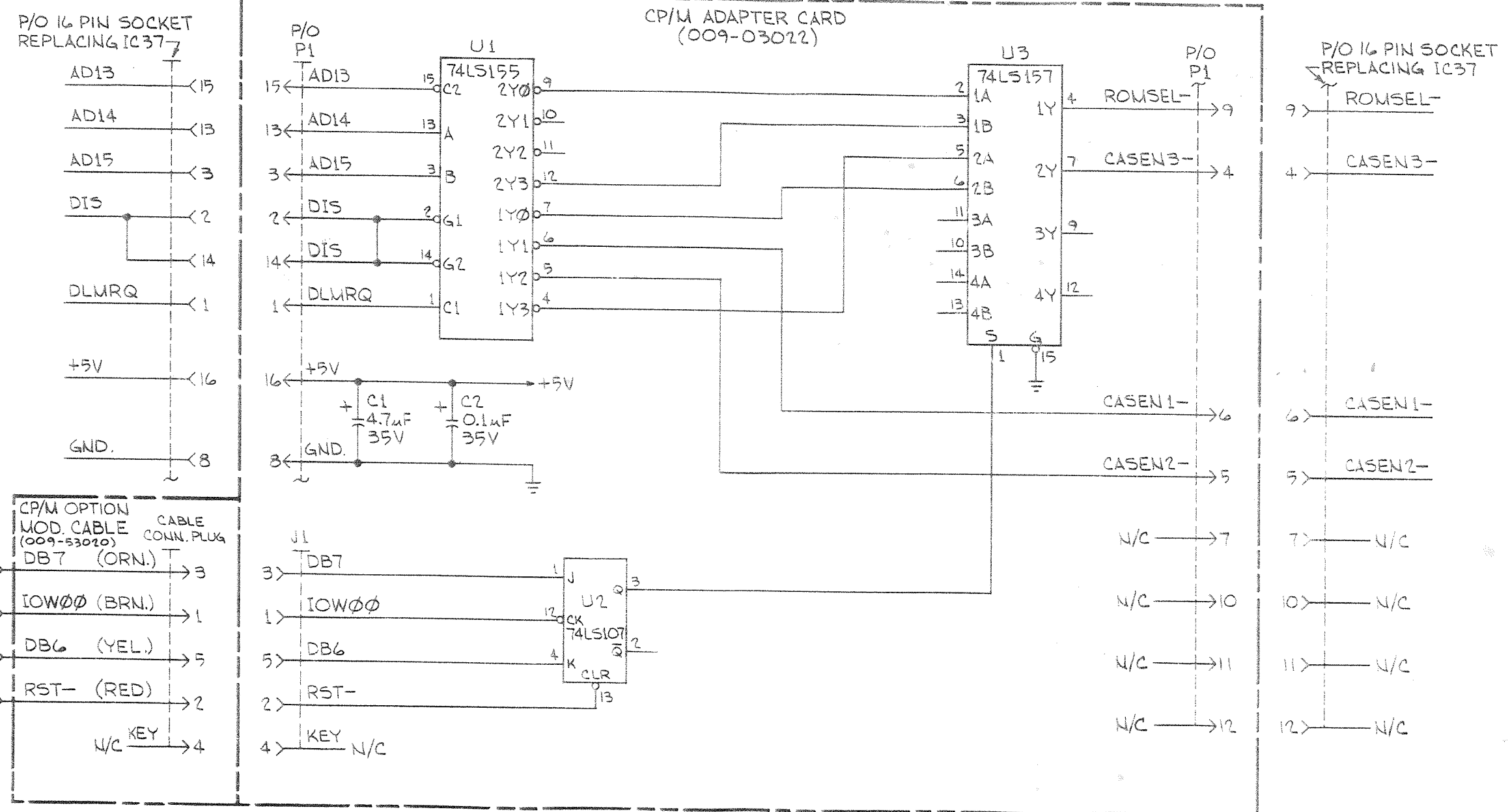
UNLESS OTHERWISE SPECIFIED			DRWN BY	DATE	TITLE	
ALL DIMENSIONS ARE IN INCHES DO NOT SCALE DRAWING REMOVE BURRS AND BREAK EDGES .015 MAX			CHKD BY	2/16/77	QI/LITE SYSTEM BOARD I/O CONNECTORS	
TOLERANCES ON FRACTIONS DECIMALS ANGLES 2/64 2.008 1"			MECH ENGR		QI CORPORATION 6 Duben Court Farmingdale, New York 11735	
NOT APPL. TO HOLE DIA.			ELEC ENGR			
DASH	NEXT ASSY	USED ON	MATERIAL	FINISH	APPROVED	
APPLICATION					RELEASE	
SEE SEPARATE SHEET FOR LIST OF MATERIALS					SIZE	OWG. NO
					D	007-51004
					SCALE	SHEET 10 OF 11

8 7 6 5 4 3 2 1

007-51004

THIS DRAWING AND SPECIFICATIONS HEREIN ARE THE PROPERTY OF QI CORPORATION AND SHALL NOT BE REPRODUCED OR COPIED OR USED IN WHOLE OR IN PART AS THE BASIS FOR THE MANUFACTURE OR SALE OF ITEMS WITHOUT WRITTEN PERMISSION.

REVISIONS					
LTR	ZONE	DESCRIPTION	DATE	BY	APPROVED
4		SEE SHT-1.			



CP/M OPTION MOD. CABLE (009-53020)	CABLE CONN. PLUG (ORN.)
TO IC34 PIN 9	DB7 (ORN.) → 3
TO IC54 PIN 9	IOW $\emptyset\emptyset$ (BRN.) → 1
TO IC34 PIN 12	DB6 (YEL.) → 5
TO IC54 PIN 10	RST- (RED) → 2
	N/C KEY → 4

NOTES:

1. TO INSTALL THE CP/M OPTION INTO THE SYSTEM BOARD;
 - A) REMOVE IC37 (SHEET 2) & REPLACE WITH A 16 PIN D.I.P. SOCKET.
 - B) PLUG CP/M ADAPTER CARD (009-03022) INTO IC37 SOCKET USING P1 ON ADAPTER CARD AS PLUG.
 - C) PLUG CP/M OPTION MODIFICATION CABLE (009-53020) INTO J1 ON ADAPTER CARD.
 - D) SOLDER THE (4) WIRES ON THE CABLE TO THE POINTS ON THE SYSTEM BOARD INDICATED ON THE SCHEMATIC ABOVE.

DASH		NEXT ASSY	USED ON	APPLICATION	UNLESS OTHERWISE SPECIFIED ALL DIMENSIONS ARE IN INCHES DO NOT SCALE DRAWING REMOVE BURRS AND BREAK EDGES .015 MAX TOLERANCES ON FRACTIONS DECIMALS ANGLES ± 1/4 .005 ± .010		DRAWN BY: <i>g.o.</i> DATE: 3-4-80 CHKD BY: <i>MB</i> 2-6-80 MECH ENGR ELEC ENGR APPROVED RELEASE	TITLE: QI/LITE SYSTEM BOARD CP/M OPTION SEE SEPARATE SHEET FOR LIST OF MATERIALS	QI CORPORATION 125 Ricefield Ln. Hauppauge New York 11787	SIZE: D DWG. NO: 007-51004 REV: - SCALE: SHEET 11 of 11
------	--	-----------	---------	-------------	---	--	--	---	--	--

007-51004